

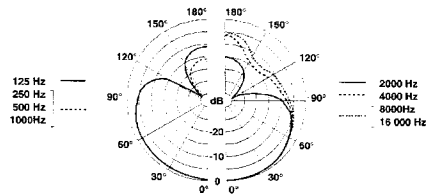
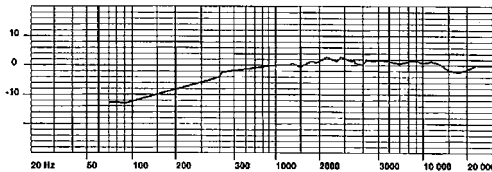
**Architect’s and Engineers Specifications for C2 Series - Integral Phantom Power Adaptor Versions**

The condenser gooseneck microphones shall have a slim line profile and be of robust high quality brass construction using an 8mm flexible or semi rigid shaft.

The finish will be low reflective Satin Black

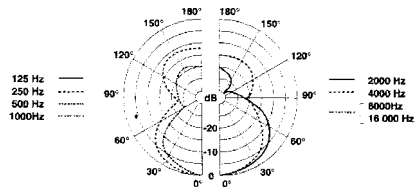
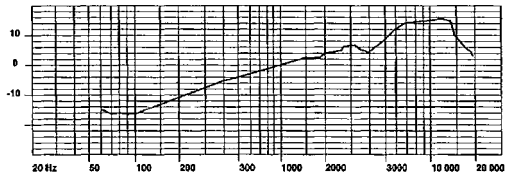
**Cardioid "E"**

The microphone shall have a cardioid polar pattern and be terminated with a male 3 Pin XLR. The microphone shall be fitted with a Phantom Power Adaptor accepting 9 - 48 volts DC, including a switchable 10 db pad and switchable bass cut filter (-4db per octave at 400 Hz to -6db per octave at 100 Hz). Frequency response: 70 Hz to 14 KHz; Sensitivity -47db +/- 3db @ 1Khz (0db =1V/Pa); Impedance 200 ohm. Total harmonic distortion (THD) at an operating level of 115db shall not exceed 1%. The microphone will available in different lengths(L): 180mm/ 7 in (CT22E); 280mm/ 11 in (CT23E); 380mm/ 15 in (CT24E); 480mm/ 18.9 in (CT25E). The microphone shall be a Clockaudio C2 "E" Series.



**Hypercardioid "E" (Close Talking)**

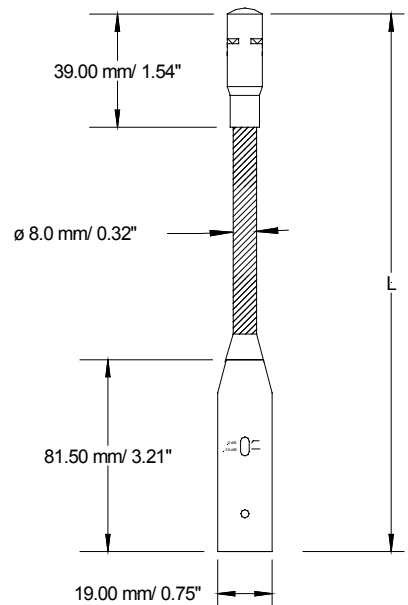
The microphone shall have a Hypercardioid polar pattern and be terminated in a 3 pin XLR. The microphone shall be fitted with a Phantom Power Adaptor accepting 9 - 48 volts DC, including a switchable 10dB Pad and switchable bass cut filter (-4dB per octave at 400 Hz to -6dB per octave at 100 Hz). Frequency response 60 Hz - 12 KHz; Sensitivity -47dB @ 1 KHz (0dB = 1V/Pa); Total Harmonic Distortion (THD) at an operating level of 115dB will not exceed 1%. The microphone will be available in different lengths (L): 180mm/ 7 in (CT22E); 280mm/ 11 in (CT23E); 380mm/ 15 in (CT24E); 480mm/ 18.9 in (CT25E). The microphone shall be a Clockaudio C2 CT "E" Series



Product	Dimensions	
	Overall length (L)	Shaft diameter
<b>C22E/CT2E</b>	180 mm (7")	8 mm (0.32")
<b>C23E/CT2E</b>	280 mm (11")	8 mm (0.32")
<b>C24E/CT2E</b>	380mm (15")	8 mm (0.32")
<b>C25E/CT2E</b>	480mm (18.9")	8.5mm (0.34")
	12 mm (0.47") Head	

**WIRING CONFIGURATION FOR 3 PIN XLR**

PIN 1 = SCREEN                      PIN 2 = SIGNAL +                      PIN 3 = GROUND-

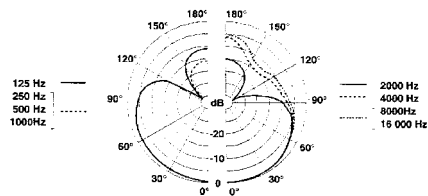
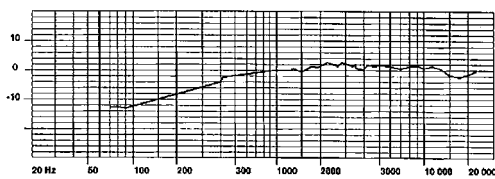


**Architect's and Engineer's Specifications for C2 Series - Stud Mounted Versions**

The condenser gooseneck microphones shall have a slim line profile and be of robust high quality brass construction using an 8mm fully flexible or semi rigid shaft with an M10 x 1 stud mounting. The finish will be low reflective Satin Black.

**Cardioid**

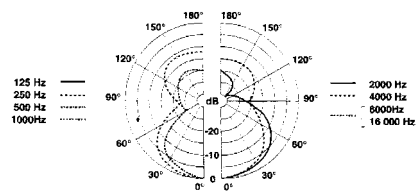
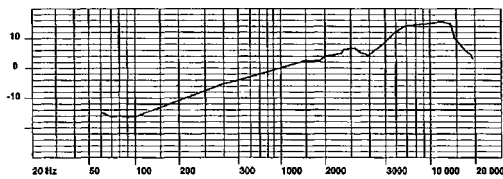
The microphone will have a cardioid polar pattern and be terminated with open-ended cable 1 metre in length. The microphone shall have a Frequency response 70 Hz - 14 KHz; Impedance 1.6 KOhms at 1KHz; Sensitivity -47dB at 1KHz (0dB=1V/Pa); Total Harmonic Distortion (THD) at an operating level of 115dB shall not exceed 1%. The operating power shall be provided via an in line Phantom Power Adaptor or a DC supply of 1.5 - 9 volts through a series resistor. (Optimum 6 volts). The microphone will be available in different lengths (L): 200 mm/ 7.9 in (C22); 300 mm/ 11.8 in (C23); 400 mm/ 15.8 in (C24); 500 mm/ 19.7 in (C25). The microphone shall be a Clockaudio C2 Series.



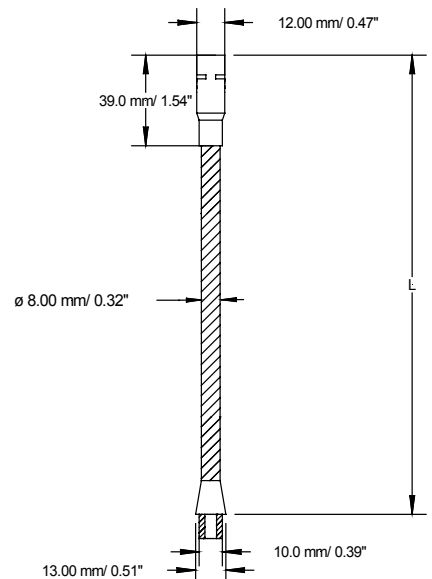
**Hypercardioid (Close Talking)**

The microphone will have a hypercardioid polar pattern and be terminated with an open ended cable 1 metre in length. The microphone Frequency response will be 60 Hz-12 KHz; Impedance 1.6 KOhms at 1 KHz; Sensitivity -51dB at 1 KHz (0dB=1V/Pa); Total Harmonic Distortion (THD) at an operating level of 125dB will not exceed 1%. The operating power shall be provided via an, in line, Phantom Power Adaptor or a DC supply of 1.5 - 9volts maximum. (Optimum 6 volts). The microphone will be available in different lengths (L): 200 mm/ 7.9 in (CT22); 300 mm/ 11.8 in (CT23); 400 mm/ 15.8 in (CT24); 500 mm/ 19.7 in (CT25).

The microphone shall be a Clockaudio C2 series CT



Product	Dimensions	Shaft diameter
<b>C22/CT22</b>	Overall length (L) 200mm (7.9")	8mm (0.32")
<b>C23/CT23</b>	300mm (11.8")	8mm (0.32")
<b>C24/CT24</b>	400mm (15.8")	8mm (0.32")
<b>C25/CT25</b>	500mm (19.7") 12mm (0.47") Head	8.5mm (0.34")



**Wiring configuration**

Red Wire = Signal +    White wire = Ground -