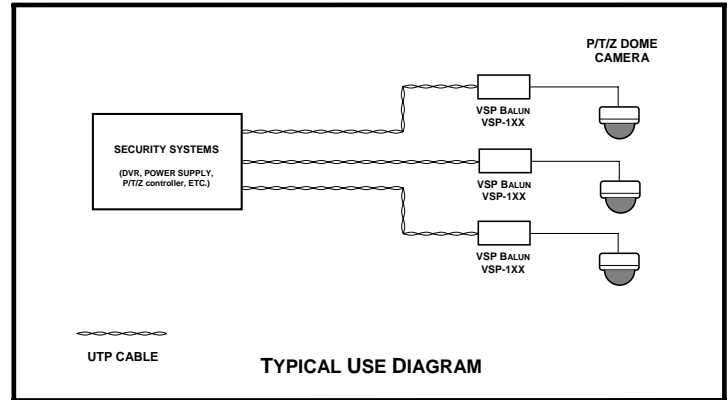


Video Surveillance Plus Series



Video + Control + Power Balun



Features/Advantages	Description	Applications
<ul style="list-style-type: none"> Passive transmission device with video, control and power over single UTP cable Greater stability with wider bandwidth Save time and money for CCTV camera installations when using UTP cable Aluminum cases Made in USA. 100% QA. 	<p>The ETS VSP-1XX Series combines video, control and power into a single UTP cable where the video signals are transported up to 3000 feet (900 meters) when connected with the ETS Video Surveillance Plus systems.</p> <p>For special installations, Low Smoke Zero Halogen (LSZH) cable with connectors is also offered.</p> <p>The ETS VSP Balun supports RS170, NTSC, PAL, SECAM, CCIR video format.</p>	<ul style="list-style-type: none"> Video Surveillance Systems P/T/Z Control Signals All baseband video applications

Specifications		Product Ordering Information	
Bandwidth	Flat to 60 MHz	VSP-107 VSP-107Z*	Video+Control+Power, 7 in. P/T/Z cable with MBNC to 6.00 in. UTP RJ45 plug, pins 1,2 (video), pins 3,6 (control), pins 4,5 & 7,8 (power)
Impedance	75 ohm Unbalanced – BNC connector side 100 ohm Balanced – RJ45 connector side	VSP-112 VSP-112Z*	Video+Control+Power, 12 in. P/T/Z cable with MBNC to 6.00 in. UTP RJ45 plug, pins 1,2 (video), pins 3,6 (control), pins 4,5 & 7,8 (power)
Crosstalk	>50dB	VSP-118 VSP-118Z*	Video+Control+Power, 18 in. P/T/Z cable with MBNC to 6.00 in. UTP RJ45 plug, pins 1,2 (video), pins 3,6 (control), pins 4,5 & 7,8 (power)
Connectors	MBNC with 'x' inches P/T/Z cable to 6.00 inch RJ45 plug	VSP-136 VSP-136Z*	Video+Control+Power, 36 in. P/T/Z cable with MBNC to 6.00 in. UTP RJ45 plug, pins 1,2 (video), pins 3,6 (control), pins 4,5 & 7,8 (power)
Media	Category 5 or better		* Low Smoke Zero Halogen (LSZH) cable with connectors
Dimensions	26mm x 26mm + cable lengths		
Net Weight	0.1 Kg		

© Copyright 1999-2007 Energy Transformation Systems, Inc.
 FatCat5 System panels and information outlets protected under US Patent Number 6,123,577. FatCat5, FatCat5 System, Chameleon Color Coding System, Balanced Star, Balanced Line, Monoline and Precision Wave are trademarks of Energy Transformation Systems. All other brand or product names are or may be trademarks of, and are used to identify, products or services of their respective owners. Revised 08/05/08



Energy Transformation Systems, Inc.
 43353 Osgood Rd, Unit B, Fremont, CA 94539
 800-752-8208 (US only) Fax 510-656-2026
 510-656-2012

<http://www.etslan.com>